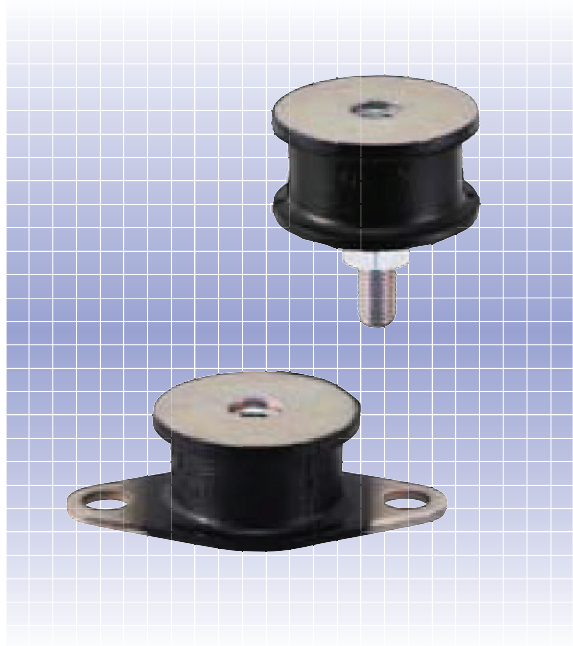


# RA/RB *Circular anti-vibration rubber mounts implanted one side of nut*

Circular anti-vibration rubber mounts RA/RB implanted one side of nut



## Features

### 1. Simplified structure and low cost

Simplified structure makes possible easy installation.

### 2. More space-effective

Implanted nut makes possible more space-effective.

### 3. Available various mounting arrangements

Compression direction, shearing direction, inclining direction, etc.

### 4. Easy available custom-made

We accept special orders for custom-made rubber hardness spring or elastomer if you place large order.

## Typical applications

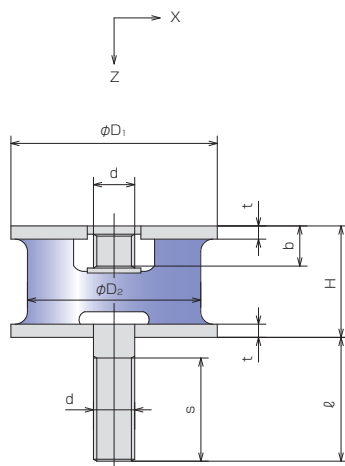
**Pump, Ventilator, Engine, Generator, Motor, Compressor, etc.**

Product number	Standard dimensions mm										
	D <sub>1</sub>	D <sub>2</sub>	H	t	d	ℓ	s	b	A	P	d <sub>1</sub>
RA-8	8	8	11	1	M 3	10	9	3.3			
RA-10	10	10	13	1	M 4	10	9	4			
RA-12	12	10	16	2	M 5	12	11	4.5			
RA-15	15	12	15	2	M 5	15	12	4.5			
RA(RB)-20	20	15	15	2	M 6	15	13	5	49	36	7
RA(RB)-20-20H	20	15	20	2	M 6	15	13	5	49	36	7
RA(RB)-25	25	20	18	2.3	M 6	18	16	6	56	42	7
RA(RB)-25-27H	25	20	27	2.3	M 6	18	16	6	56	42	7
RA(RB)-30	30	25	18	2.3	M 8	24	20	7.2	62	48	7
RA(RB)-30-26H	30	25	26	2.3	M 8	24	20	7.2	62	48	7
RA(RB)-35	35	30	26	2.3	M 8	24	20	7.2	69	53	9
RA(RB)-35-35H	35	30	35	2.3	M 8	24	20	7.2	69	53	9
RA(RB)-40	40	34	25	2.3	M 8	30	25	7.2	76	60	9
RA(RB)-40-33H	40	34	33	2.3	M 8	30	25	7.2	76	60	9
RA(RB)-45	45	38	34	3.2	M 8	29	25	8.1	78	63	9
RA(RB)-45-45H	45	38	45	3.2	M 8	29	25	8.1	78	63	9
RA(RB)-50	50	42	27	3.2	M10	30	25	9.2	93	73	11.5
RA(RB)-50-40H	50	42	40	3.2	M10	30	25	9.2	93	73	11.5
RA(RB)-55	55	47	40	3.2	M10	35	30	9.2	98	78	11.5
RA(RB)-55-54H	55	47	54	3.2	M10	35	30	9.2	98	78	11.5
RA(RB)-60	60	52	30	3.2	M12	35	35	11.2	104	84	11.5
RA(RB)-60-34H	60	52	34	3.2	M12	35	35	11.2	104	84	11.5
RA(RB)-60-58H	60	52	58	3.2	M12	35	35	11.2	104	84	11.5
RA(RB)-65	65	56	34	3.2	M12	35	35	11.2	116	92	11.5
RA(RB)-65-50H	65	56	50	3.2	M12	35	35	11.2	116	92	11.5
RA(RB)-75	75	65	42	4.5	M12	45	45	12.5	126	102	11.5
RA(RB)-75-63H	75	65	63	4.5	M12	45	45	12.5	126	102	11.5
RA(RB)-80	80	70	40	4.5	M12	45	45	12.5	136	108	13.5
RA(RB)-80-55H	80	70	55	4.5	M12	45	45	12.5	136	108	13.5
RA(RB)-90	90	80	50	4.5	M12	45	45	12.5	141	117	13.5
RA(RB)-90-76H	90	80	76	4.5	M12	45	45	12.5	141	117	13.5
RA(RB)-100	100	90	50	4.5	M16	55	55	16	166	134	13.5
RA(RB)-100-70H	100	90	70	4.5	M16	55	55	16	166	134	13.5
RA(RB)-120	120	110	60	8	M16	51	51	19.5	210	160	18
RA(RB)-150	150	140	62	8	M20	※55(57)	※55(57)	22.5	250	190	22

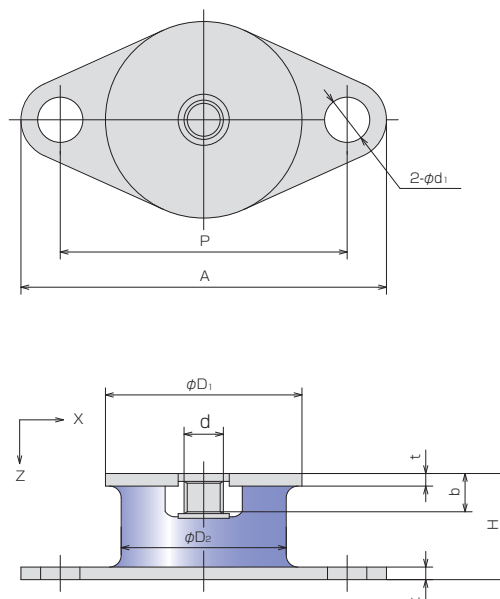
RA type is provided with 1 hexagon nut and 1 spring washer.

※The dimensions is shifted sequentially to the (57) dimensions.

## RA type



## RB type



※Don't tighten the nut over "b" length.

Product number	Support load in Z direction N (kgf)	Permissible load N (kgf)		Spring constant in Z direction N/mm (kgf/cm)	Spring constant ratio of X direction to Z direction
		Z direction	X direction		
RA-8	~ 21 { 2.1 }	36 { 3.7 }	7 { 0.7 }	17 { 17 }	0.17
RA-10	~ 44 { 4.5 }	78 { 8 }	9.8 { 1 }	27 { 28 }	0.16
RA-12	~ 78 { 8 }	110 { 11 }	25 { 2.5 }	62 { 63 }	0.20
RA-15	~ 130 { 13 }	160 { 16 }	34 { 3.5 }	110 { 110 }	0.24
RA(RB)-20	~ 160 { 16 }	280 { 29 }	69 { 7 }	180 { 180 }	0.18
RA(RB)-20-20H	~ 98 { 10 }	180 { 18 }	49 { 5 }	88 { 90 }	0.22
RA(RB)-25	~ 280 { 29 }	580 { 59 }	98 { 10 }	220 { 220 }	0.19
RA(RB)-25-27H	~ 160 { 16 }	310 { 32 }	59 { 6 }	110 { 110 }	0.22
RA(RB)-30	~ 830 { 85 }	1700 { 170 }	250 { 25 }	610 { 620 }	0.15
RA(RB)-30-26H	~ 370 { 38 }	760 { 77 }	150 { 15 }	180 { 180 }	0.22
RA(RB)-35	~ 550 { 56 }	1100 { 110 }	260 { 27 }	250 { 260 }	0.24
RA(RB)-35-35H	~ 450 { 46 }	890 { 91 }	210 { 21 }	150 { 150 }	0.23
RA(RB)-40	~ 700 { 71 }	1420 { 145 }	320 { 33 }	340 { 350 }	0.23
RA(RB)-40-33H	~ 560 { 57 }	1100 { 114 }	260 { 27 }	200 { 200 }	0.24
RA(RB)-45	~ 830 { 85 }	1700 { 170 }	290 { 30 }	300 { 310 }	0.24
RA(RB)-45-45H	~ 690 { 70 }	1400 { 140 }	250 { 25 }	190 { 190 }	0.20
RA(RB)-50	~ 1370 { 140 }	2700 { 280 }	470 { 48 }	670 { 680 }	0.17
RA(RB)-50-40H	~ 880 { 90 }	1800 { 180 }	390 { 40 }	270 { 280 }	0.22
RA(RB)-55	~ 1300 { 130 }	2500 { 260 }	440 { 45 }	340 { 350 }	0.23
RA(RB)-55-54H	~ 1100 { 110 }	2300 { 230 }	390 { 40 }	240 { 240 }	0.21
RA(RB)-60	~ 2060 { 210 }	4200 { 425 }	780 { 80 }	883 { 900 }	0.19
RA(RB)-60-34H	~ 1670 { 170 }	3300 { 340 }	690 { 70 }	600 { 610 }	0.21
RA(RB)-60-58H	~ 1300 { 130 }	2500 { 260 }	540 { 55 }	250 { 250 }	0.21
RA(RB)-65	~ 2300 { 230 }	4400 { 450 }	640 { 65 }	860 { 880 }	0.20
RA(RB)-65-50H	~ 1800 { 180 }	3500 { 360 }	540 { 55 }	410 { 420 }	0.21
RA(RB)-75	~ 2900 { 300 }	5900 { 600 }	880 { 90 }	960 { 980 }	0.21
RA(RB)-75-63H	~ 2300 { 230 }	4500 { 460 }	740 { 75 }	450 { 460 }	0.22
RA(RB)-80	~ 3240 { 330 }	6500 { 660 }	1200 { 120 }	1040 { 1060 }	0.18
RA(RB)-80-55H	~ 2600 { 270 }	5300 { 540 }	1200 { 125 }	580 { 590 }	0.23
RA(RB)-90	~ 3900 { 400 }	7800 { 800 }	1300 { 130 }	1030 { 1050 }	0.20
RA(RB)-90-76H	~ 2900 { 300 }	5900 { 600 }	1200 { 120 }	510 { 520 }	0.22
RA(RB)-100	~ 5900 { 600 }	11800 { 1200 }	2400 { 240 }	1440 { 1470 }	0.20
RA(RB)-100-70H	~ 3580 { 365 }	7200 { 730 }	1720 { 175 }	800 { 820 }	0.21
RA(RB)-120	~ 7940 { 810 }	16000 { 1630 }	2840 { 290 }	1810 { 1850 }	0.18
RA(RB)-150	~ 12700 { 1300 }	25500 { 2600 }	5100 { 520 }	4060 { 4140 }	0.16

The elastomer is natural rubber and hardness spring 60.  
The elastomer of RA-8 and RA-10 is natural rubber and hardness spring 45.