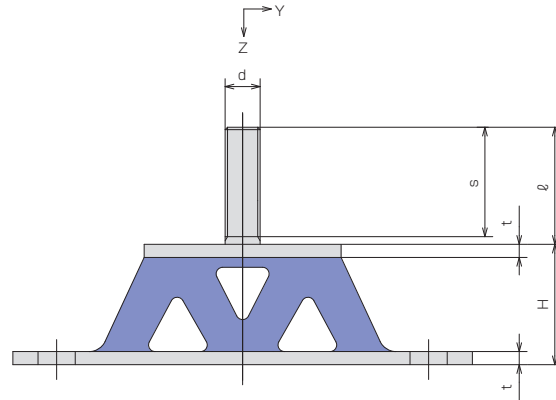
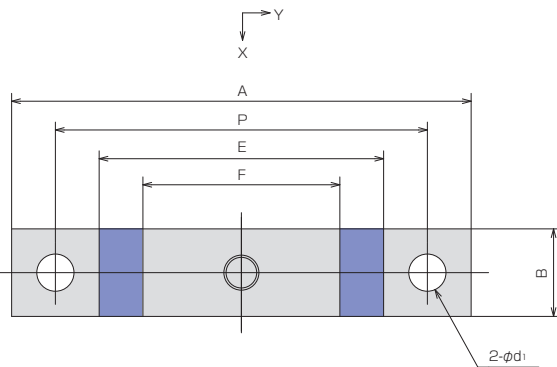


Features

1. Smaller vertical spring constant
2. Appropriate for low revolving machinery
3. Space-effective

Typical applications

Vibrating screen, Vibrating conveyer,
Vibrating sieve, Instrument board, Chiller,
Air compressor



W-shaped anti-vibration rubber mounts KD

| Product number | Standard dimensions mm | | | | | | | | | | |
|----------------|------------------------|----|----|-----|-----|-----|-----|-----|------|------|----------------|
| | A | B | H | t | E | F | P | d | ℓ | s | d ₁ |
| KD-40 | 125 | 30 | 40 | 4.5 | 80 | 55 | 104 | M10 | 29 | 25 | 11 |
| KD-45 | 160 | 35 | 45 | 4.5 | 100 | 70 | 130 | M12 | 34 | 34 | 14 |
| KD-55 | 210 | 40 | 55 | 6 | 130 | 90 | 170 | M16 | 54 | 54 | 17 |
| KD-65 | 245 | 50 | 65 | 9 | 165 | 115 | 205 | M16 | 50.5 | 50.5 | 20 |

This type is provided with 1 hexagon nut and 1 spring washer.

| Product number | Support load in Z direction N {kgf} | Permissible load N {kgf} | | | Spring constant in Z direction N/mm {kgf/cm} | Spring constant ratio of X direction to Z direction | Spring constant ratio of Y direction to Z direction |
|----------------|-------------------------------------|--------------------------|-------------|-------------|--|---|---|
| | | Z direction | X direction | Y direction | | | |
| KD-40 | ~ 340 { 35 } | 690 { 70 } | 120 { 12 } | 140 { 14 } | 200 { 200 } | 0.17 | 0.20 |
| KD-45 | ~ 490 { 50 } | 980 { 100 } | 220 { 22 } | 200 { 20 } | 250 { 250 } | 0.22 | 0.20 |
| KD-55 | ~ 880 { 90 } | 1720 { 175 } | 440 { 45 } | 340 { 35 } | 280 { 290 } | 0.25 | 0.20 |
| KD-65 | ~ 1230 { 125 } | 2500 { 250 } | 440 { 45 } | 390 { 40 } | 360 { 370 } | 0.19 | 0.16 |

The elastomer is natural rubber and hardness spring 60.